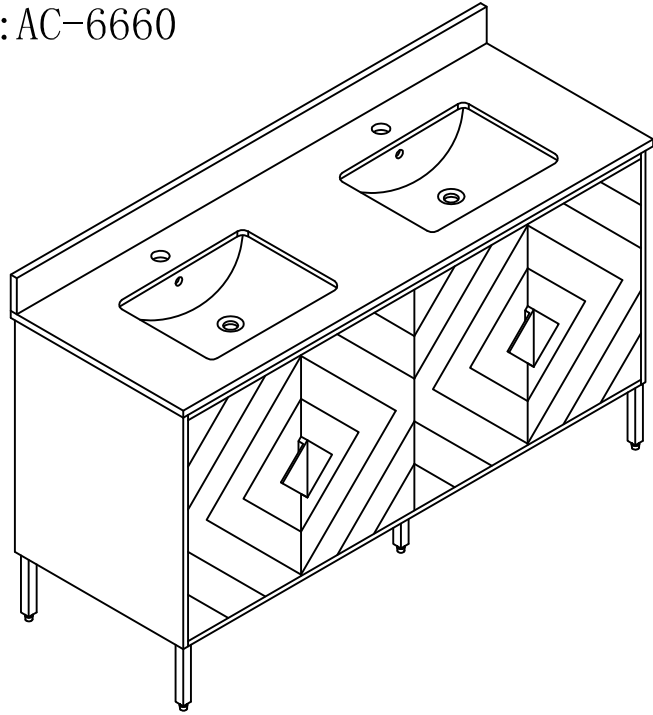


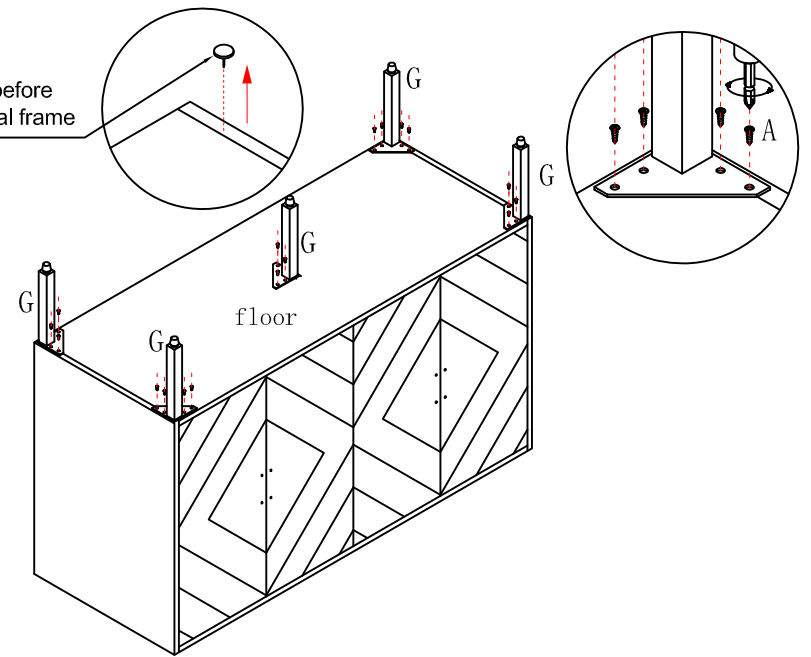
Assembly Instruction

Item No. : AC-6660



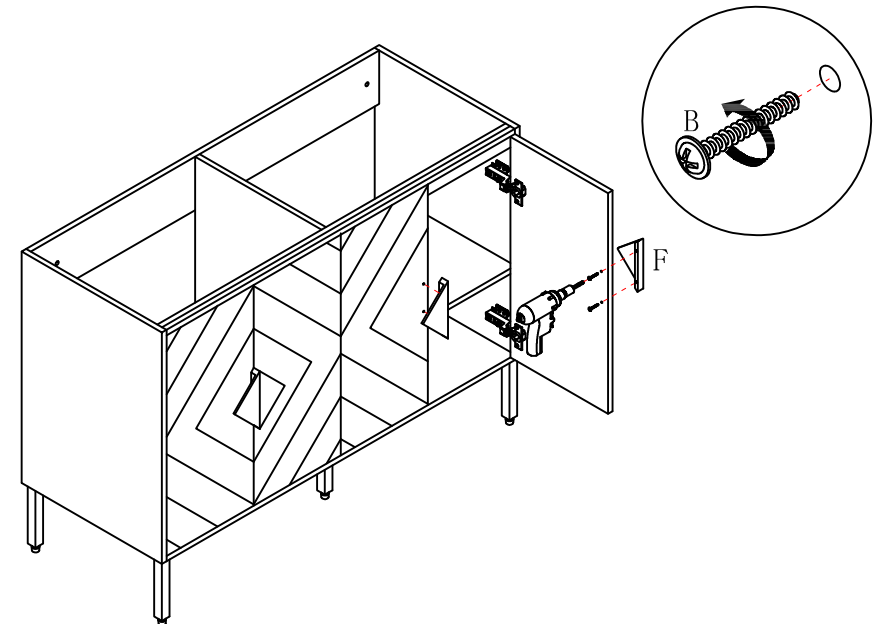
Step 1

Remove the pin before installing the metal frame

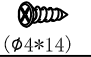
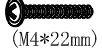



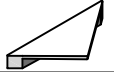
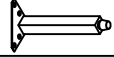



Cabinet handstand

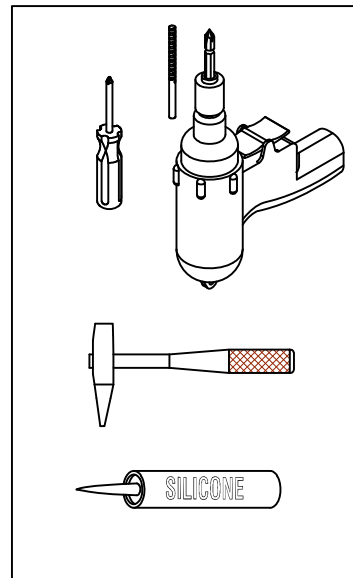
Step 2



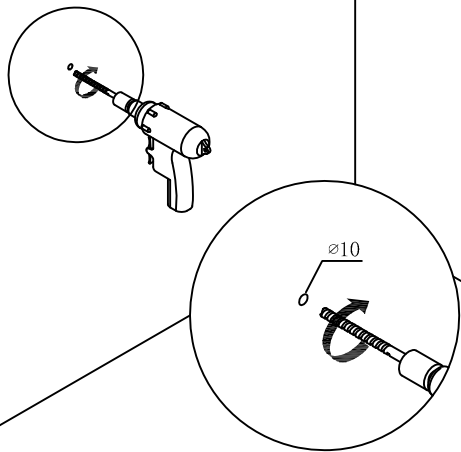
Hardware

NO.	Draw	QTY
A	 (Ø4*14)	20
B	 (M4*22mm)	8
C		2
D		2
E		2
F		4
G		5
H		8

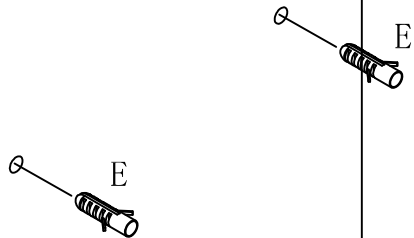
Tools



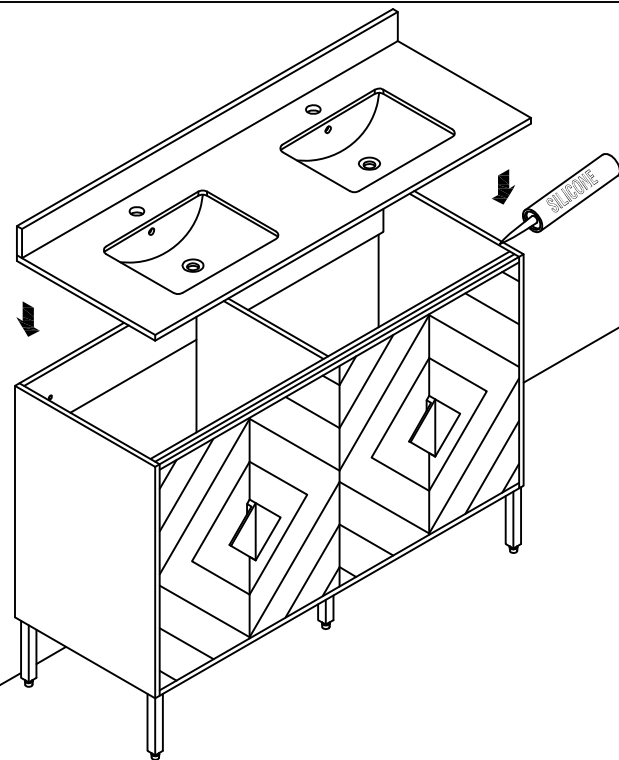
Step 3



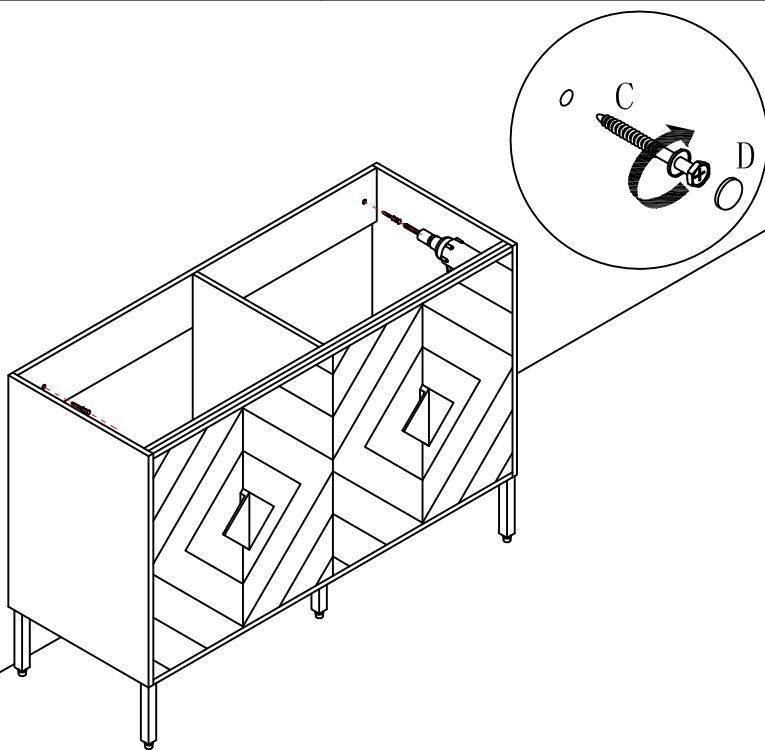
Step 4



Step 6



Step 5



Finished

